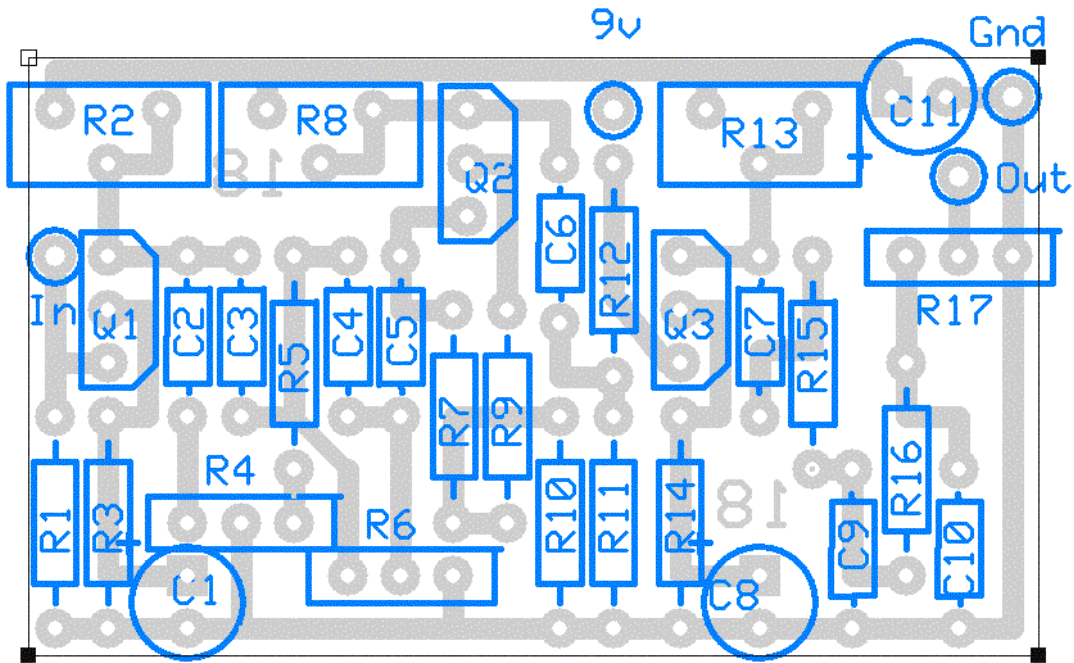


"Eighteen" by runoffgroove.com

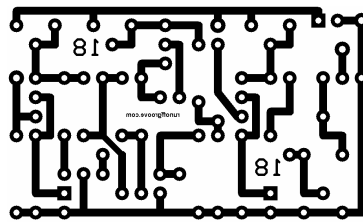
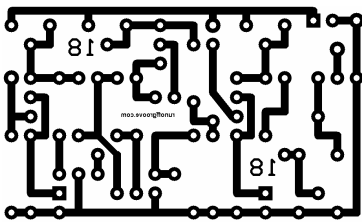
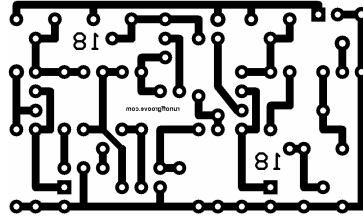
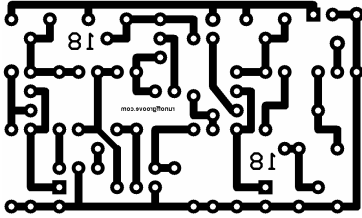
PCB layout by Pablo De Luca (aka Gringo)
v1.3 October 23, 2004



Parts List:

Capacitors	Resistors	Semiconductors
C1 47uF	R1 1M	Q1 J201
C2 10n	R2 100k trim	Q2 J201
C3 4.7n	R3 820	Q3 J201
C4 220p opcional	R4 500k A Tone	
C5 10n	R5 100k	
C6 10n	R6 500k A Gain	
C7 15n	R7 470k	
C8 47uF	R8 100k trim	
C9 2.2n	R9 820	
C10 2.2n	R10 8.2k	
C11 100uF	R11 470k	
	R12 8k2	
	R13 100k trim	
	R14 120	
	R15 15k	
	R16 15k	
	R17 100k A Vol	

Transfers:



Board Dimensions: 48.26mm x 28.58mm (1.9" x 1.125")