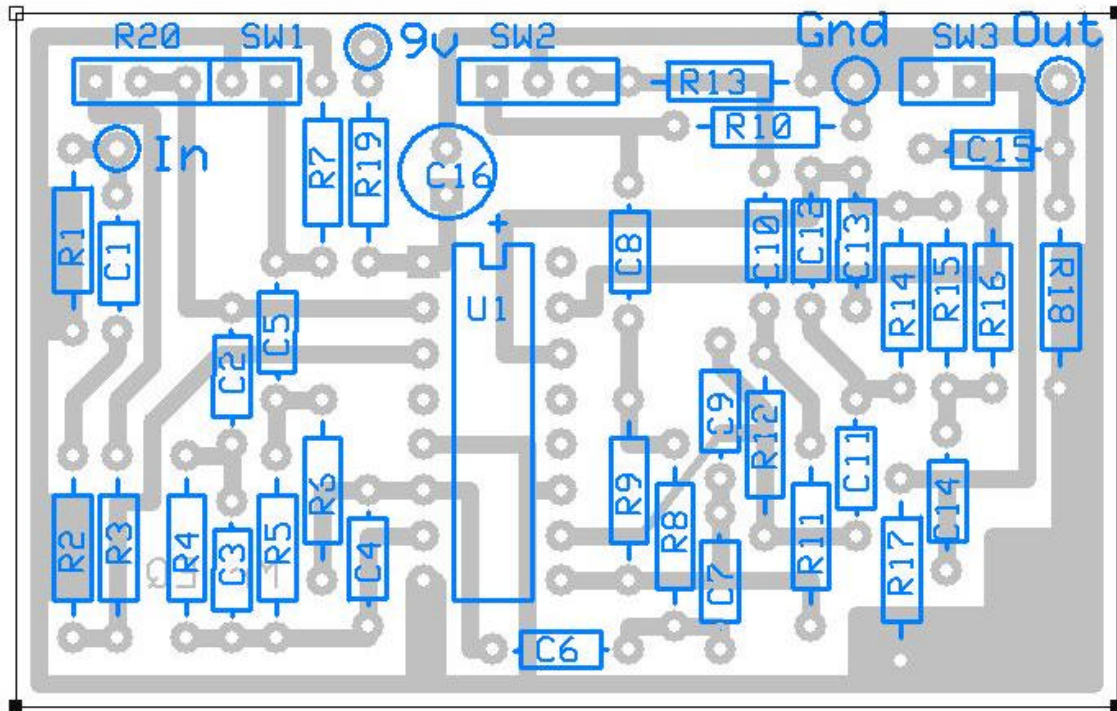


# "Mr EQ" by runoffgroove.com

PCB layout by Pablo De Luca (aka Gringo)

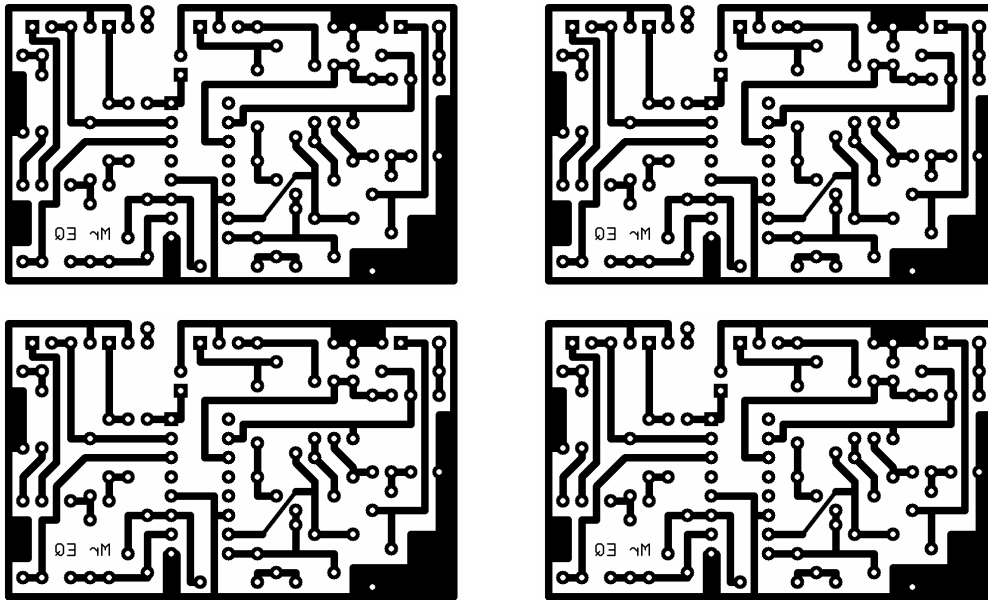
Version 1.3 May 13, 2005



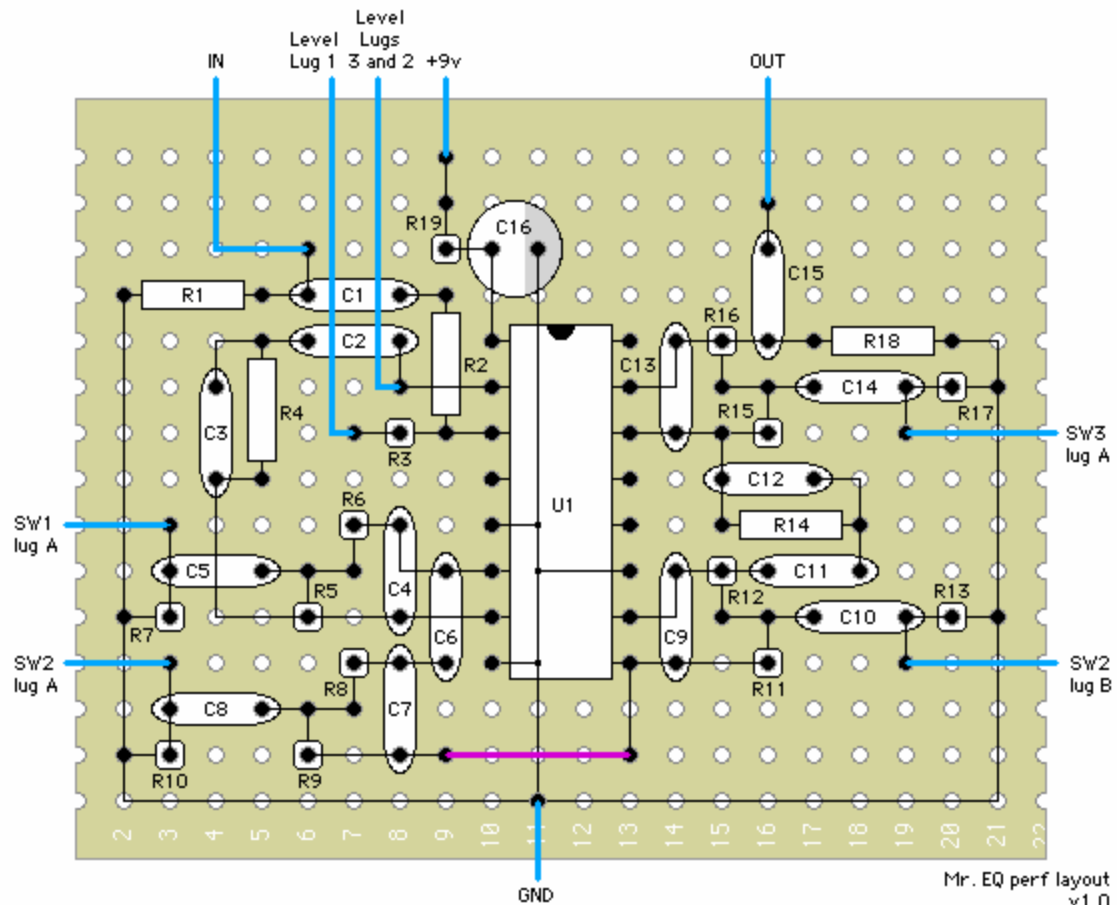
## Parts List:

Capacitors	Resistors	Semiconductors	Misc
C1 15n	R1 1M	U1 CD4049UBE	SW1 SPST Hi
C2 47n	R2 1M		SW2 SPDT (center off) Mid
C3 100p	R3 560k		SW3 SPST Lo
C4 100p	R4 560k		
C5 680p	R5 270k		
C6 47n	R6 270k		
C7 330p	R7 1M		
C8 2n2	R8 270k		
C9 330p	R9 270k		
C10 2n2	R10 1M		
C11 47n	R11 270k		
C12 2n2	R12 270k		
C13 2n2	R13 1M		
C14 15n	R14 470k		
C15 47n	R15 220k		
C16 220uF	R16 220k		
	R17 1M		
	R18 270k		
	R19 1k		
	R20 1M B Level		

## Transfers:



61.6mm x 38.74mm (2.425" x 1.525") aprox.



SW1 lug B, SW2 lug C, SW3 lug B: connect to GND

©2005, runoffgroove.com