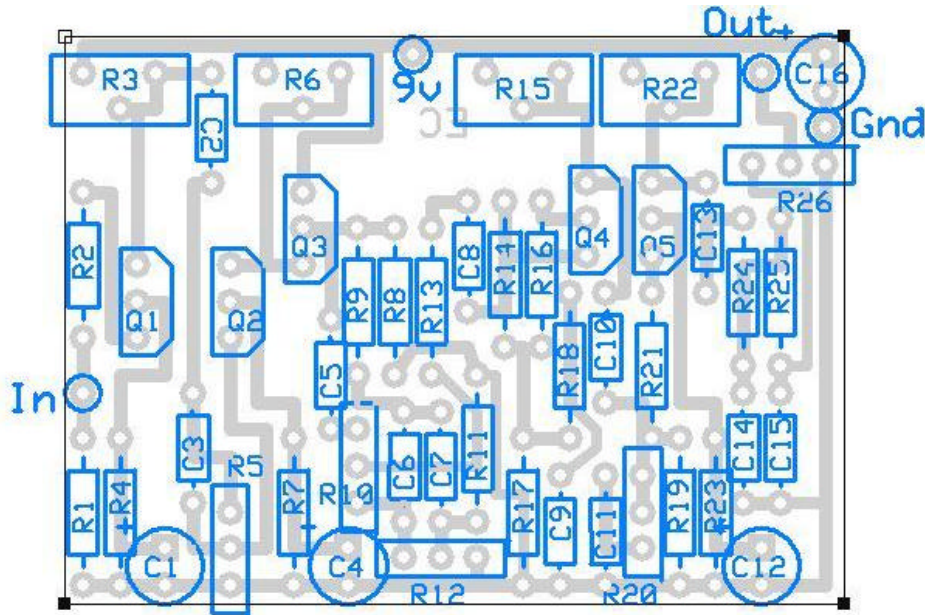


"English Channel" by runoffgroove.com

PCB layout by Pablo De Luca (aka Gringo)

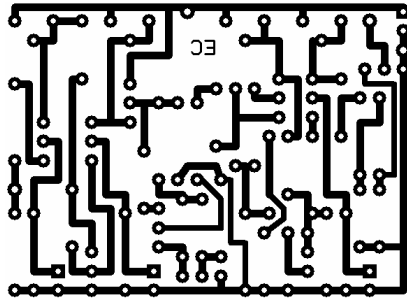
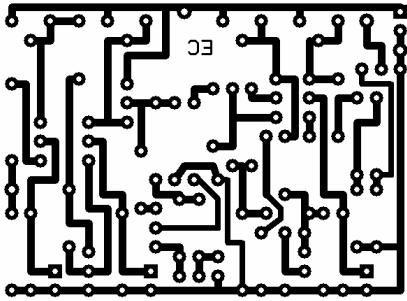
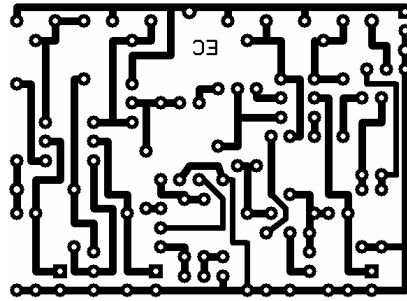
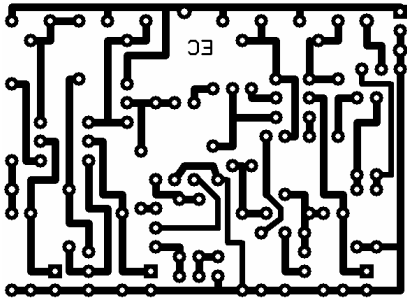
Version 1.1 January 24, 2005



Parts List:

Capacitors	Resistors	Semiconductors
C1 22uF	R1 1M	Q1 J201
C2 470p	R2 33k	Q2 J201
C3 100p	R3 100k trim	Q3 J201
C4 22uF	R4 1k5	Q4 J201
C5 47p	R5 500k A Vol	Q5 J201
C6 22n	R6 100k trim	
C7 22n	R7 1k5	
C8 47n	R8 10k	
C9 10n	R9 100k	
C10 47n	R10 1M A Treble	
C11 4n7	R11 10k	
C12 22uF	R12 1M A Bass	
C13 15n	R13 220k	
C14 2n2	R14 1M	
C15 2n2	R15 100k trim	
C16 100uF	R16 1k2	
	R17 4k7	
	R18 1M	
	R19 220k	
	R20 250k A Cut	
	R21 1k5	
	R22 100k trim	
	R23 47	
	R24 15k	
	R25 15k	
	R26 100k A Master Vol	

Transfers:



53.98mm x 39.37mm (2.125" x 1.55") aprox.