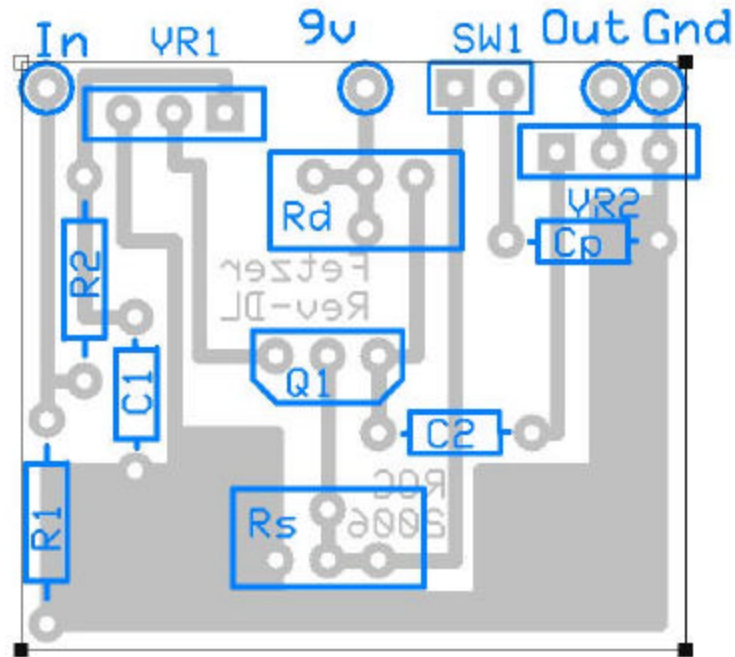


"Fetzer Revisited - Deluxe" by runoffgroove.com

PCB layout by Pablo De Luca (aka Gringo)

v0.5 June 15, 2006



Parts List:

(* NP = not present)

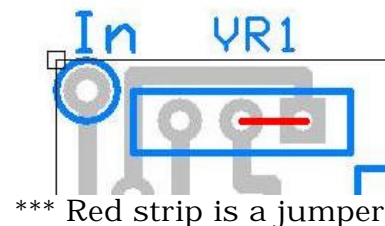
Deluxe:

Capacitors	Resistors	Semiconductors	Misc
C1 220p	R1 NP*	Q1 J201/2n5457	SW1 SPST
C2 47n	R2 33k		
Cp **	Rd 50k trim		
	Rs 2k trim		
	VR1 1M A Level		
	VR2 100k A Vol		

** Use the Fetzer Valve Calculator

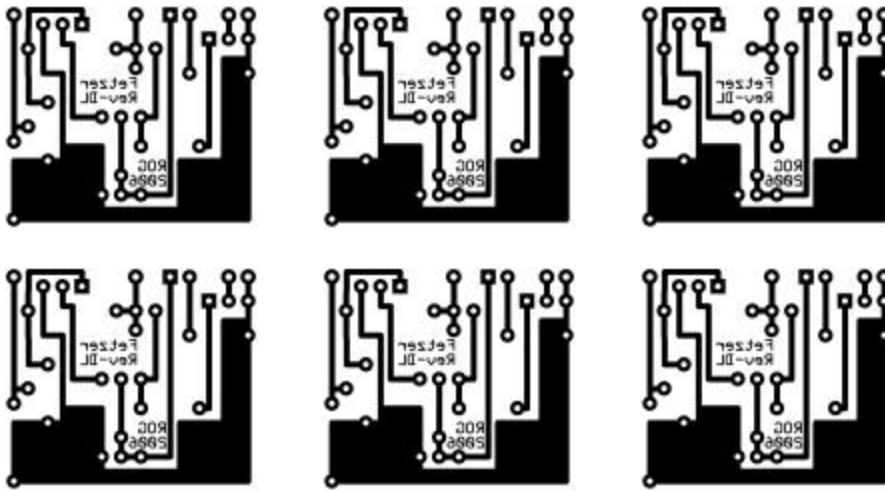
Revisited :

Capacitors	Resistors	Semiconductors	Misc
C1 220p	R1 1M	Q1 J201/2n5457	SW1 NP*
C2 47n	R2 33k		
Cp NP*	Rd 50k trim		
	Rs 2k trim		
	VR1 NP ***		
	VR2 100k A Vol		



*** Red strip is a jumper

Transfers:



Board Dimensions: 33mm x 29.21mm (1.3" x 1.15")