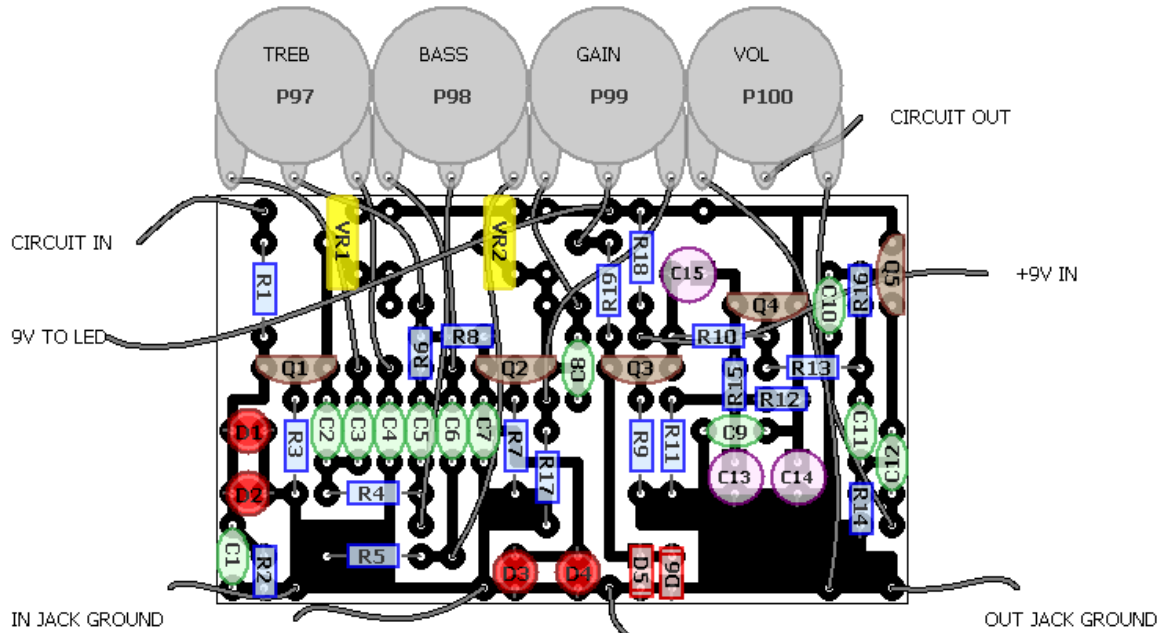


Ginger

©2011, runoffgroove.com



LED GROUND

R1: 33K
 R2: 1M
 R3: 390R
 R4: 22K
 R5: 3.9K
 R6: 33K
 R7: 390R
 R8: 100K
 R9: 390R
 R10: 390R
 R11: 10K
 R12: 10K
 R13: 100K
 R14: 10K
 R15: 1M
 R16: 100K
 R17: 6.8K
 R18: 68R
 R19: 10K

C1: 220pF
 C2: 220nF
 C3: 3.3nF
 C4: 10nF
 C5: 22nF
 C6: 100nF
 C7: 100pF
 C8: 220nF
 C9: 100nF
 C10: 220pF
 C11: 470pF
 C12: 220nF
 C13: 100uF
 C14: 220uF
 C15: 2.2uF

DC GROUND

Q1: 2n5457
 Q2: 2n5457
 Q3: 2n5457
 Q4: 2n5457
 Q5: 2n5088
 D1: 3mm Red LED
 D2: 3mm Red LED
 D3: 3mm Red LED
 D4: 3mm Red LED
 D5: 1N5818
 D6: 1N5818
 VR1: 5K
 VR2: 5K
 P97: 100K Audio
 P98: 100K Audio
 P99: 100K Audio
 P100: 100K Audio



