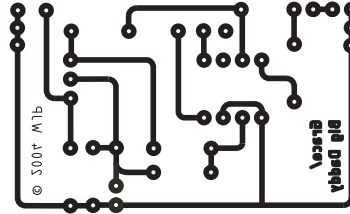
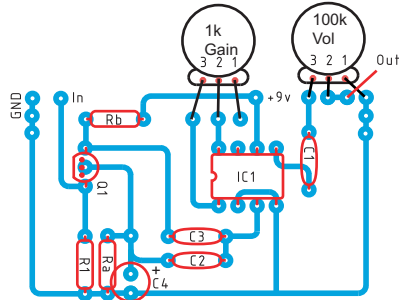


Grace/Big Daddy

This layout will allow you to build runoffgroove.com's Grace or Big Daddy. They are both based around the same circuit, but only minimal substitutions are necessary between the two. Visit www.runoffgroove.com for build details. Q1 is shown as 2N5457, other FETs will work. Note that pinout is DSG from top to bottom looking at the layout.



Grace Parts

Resistors

R1 – 4M7
Ra – 15k
Rb – Jumper

Capacitors

C1 – 0.1 μ F
C2 – 0.0068 μ F
C3 – Nothing
C4 – Nothing

Semiconductors

IC1 – LM386
Q1 – 2N5457

Big Daddy Parts

Resistors

R1 – 4M7
Ra – 2.2k
Rb – 15k

Capacitors

C1 – 0.1 μ F
C2 – Nothing
C3 – 0.0068 μ F
C4 – 2.2 μ F Electrolytic

Semiconductors

IC1 - LM386
Q1 – 2N5457