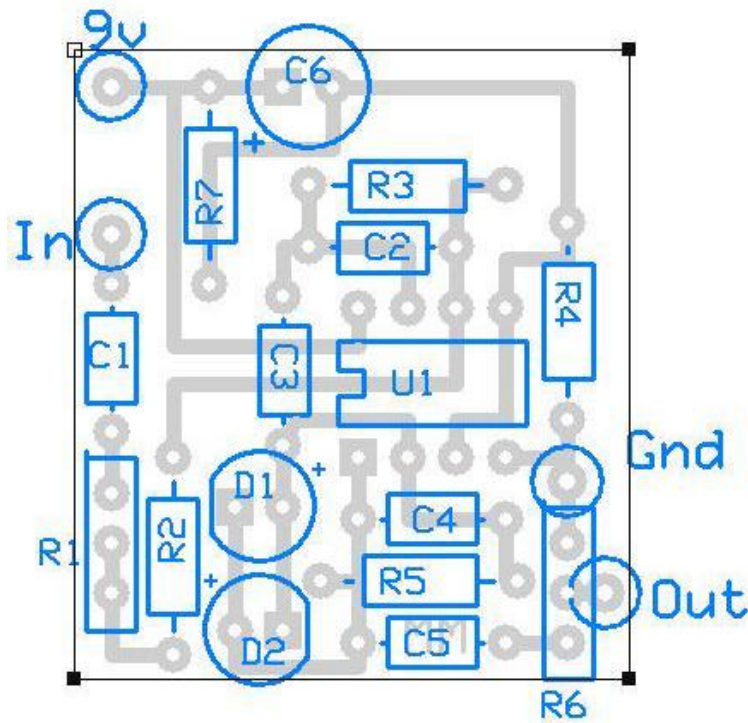


# "Mockman" by runoffgroove.com

PCB layout by Pablo De Luca (aka Gringo)  
Version 1.0 June 28, 2004



## Parts List:

Capacitors	Resistors	Semiconductors
C1 .01	R1 100k L / jumper	D1 Red Led
C2 100p	R2 10k	D2 Red Led
C3 .01	R3 470k	U1 Dual OA
C4 100p	R4 22k	
C5 .01	R5 470k	
C6 10uF	R6 100k A Vol	
	R7 22k	

## Transfers:

