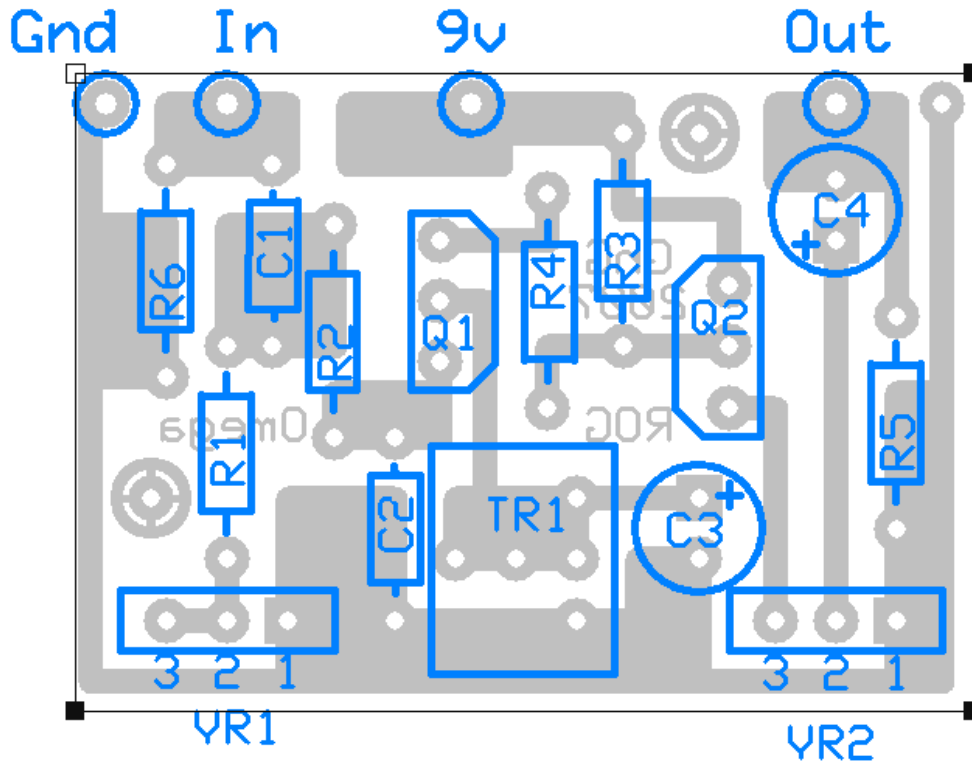


"Omega" by runoffgroove.com

PCB layout by Pablo De Luca (aka Gringo), for personal use only.

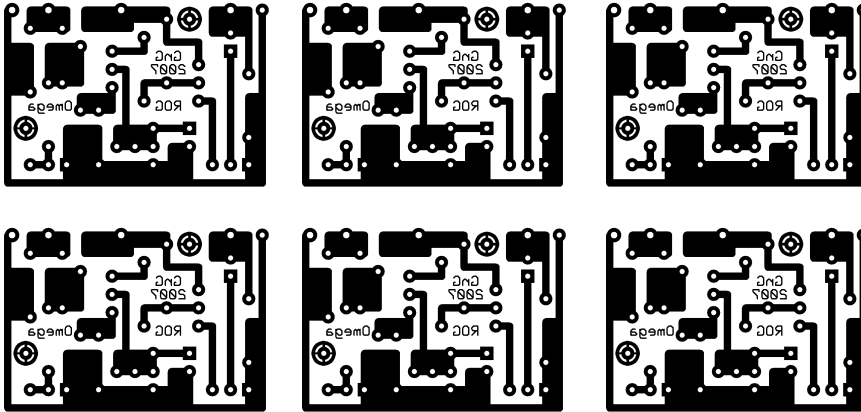
Version 1.0 March 09, 2007



Parts List:

Capacitors	Resistors	Semiconductors
C1 3n3	R1 22k	Q1 2N5457
C2 220p	R2 33k	Q2 2N7000/BS170
C3 4.7uF	R3 68k	
C4 4.7uF	R4 33k	
	R5 1M	
	R6 1M	
	TR1 100k trim	
	VR1 500k A Range	
	VR2 10k A Master	

Transfers:



Board Dimensions: 36.47mm x 26.67mm (1.475" x 1.05") aprox.