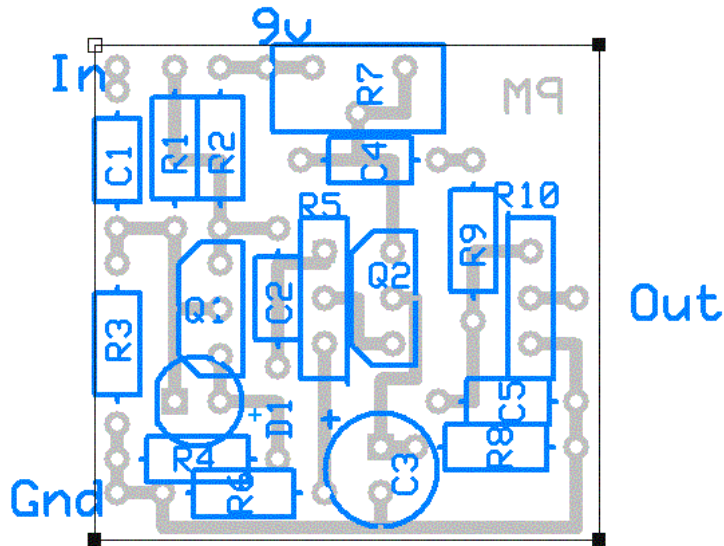


"Peppermill" by runoffgroove.com

PCB layout by Pablo De Luca (aka Gringo)
Version 1.3 December 8, 2007



Parts List:

Capacitors	Resistors	Semiconductors
C1 .022	R1 1M	D1 Red Led
C2 .0068	R2 4.7k	Q1 BS170
C3 1uF	R3 1M	Q2 J201
C4 .047	R4 1k	
C5 .0022	R5 250k	
	R6 100k	
	R7 50k trim	
	R8 1k	
	R9 8.2k	
	R10 100kA Vol	

Warning: The FET orientation is reversed. The pinout used is (from top to bottom): D-S-G.

Transfers:

