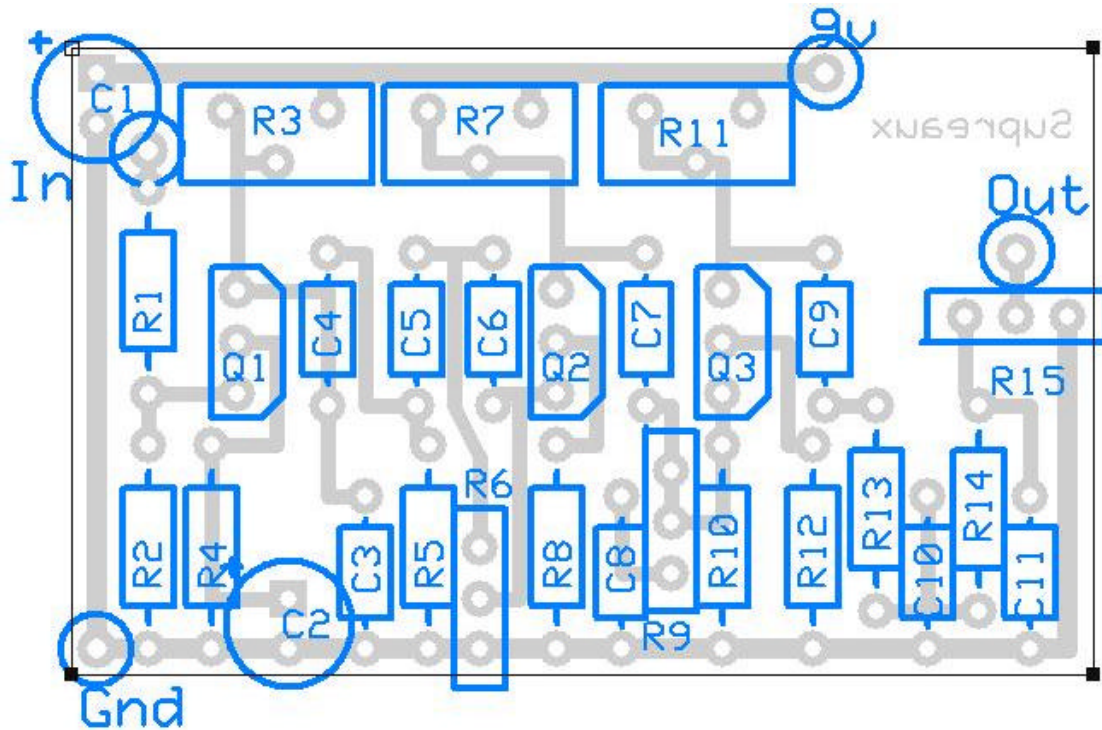


"Supreaux" by runoffgroove.com

PCB layout by Pablo De Luca (aka Gringo)
Version 1.2 July 16, 2004



Parts List:

Capacitors	Resistors	Semiconductors
C1 100uf	R1 100k	Q1 J201
C2 33uf	R2 1M	Q2 J201
C3 470p	R3 100k trim	Q3 MPF102/2n5457
C4 4n7	R4 1k5	
C5 4n7	R5 470k	
C6 470p	R6 500k A Vol	
C7 10n	R7 100k trim	
C8 4n7	R8 3k9	
C9 10n	R9 500k A Tone	
C10 3n3	R10 470k	
C11 3n3	R11 100k trim	
	R12 330	
	R13 12k	
	R14 12k	
	R15 100k A Master	

Transfers:

