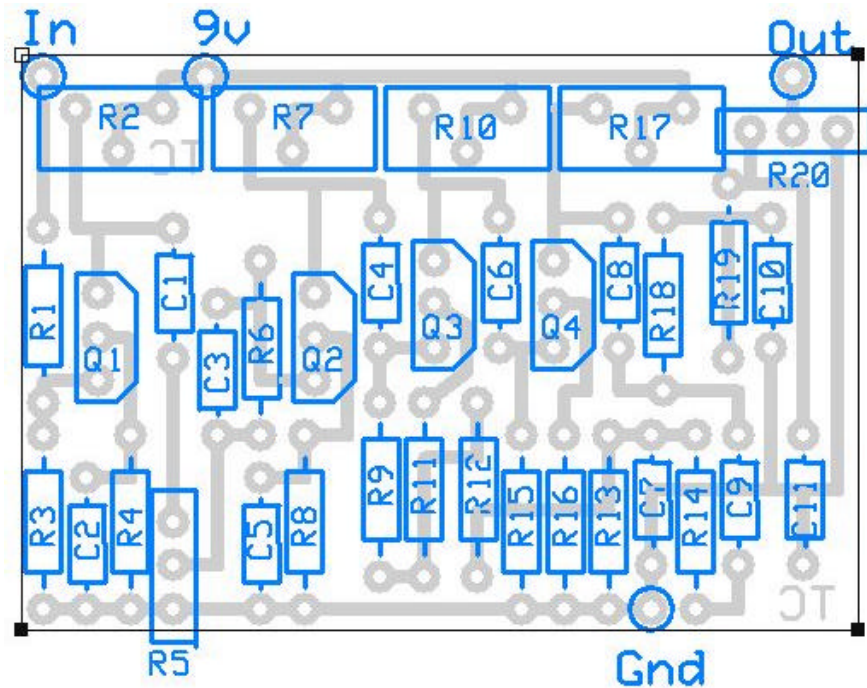


"Thunderchief" by runoffgroove.com

PCB layout by Pablo De Luca (aka Gringo)
v1.2 July 28, 2004



Parts List:

Capacitors	Resistors	Semiconductors
C1 .0022	R1 33k	Q1 J201
C2 .68	R2 100k	Q2 J201
C3 470p	R3 1M	Q3 J201
C4 .022	R4 2.7k	Q4 J201
C5 .68	R5 1M	
C6 .022	R6 470k	
C7 .1	R7 100k	
C8 .015	R8 1k	
C9 .0022	R9 1M	
C10 .0022	R10 100k	
C11 .0022	R11 470	
	R12 4.7k	
	R13 4.7k	
	R14 100k	
	R15 220k	
	R16 1k	
	R17 100k	
	R18 15k	
	R19 15k	
	R20 100k	

Transfers:

