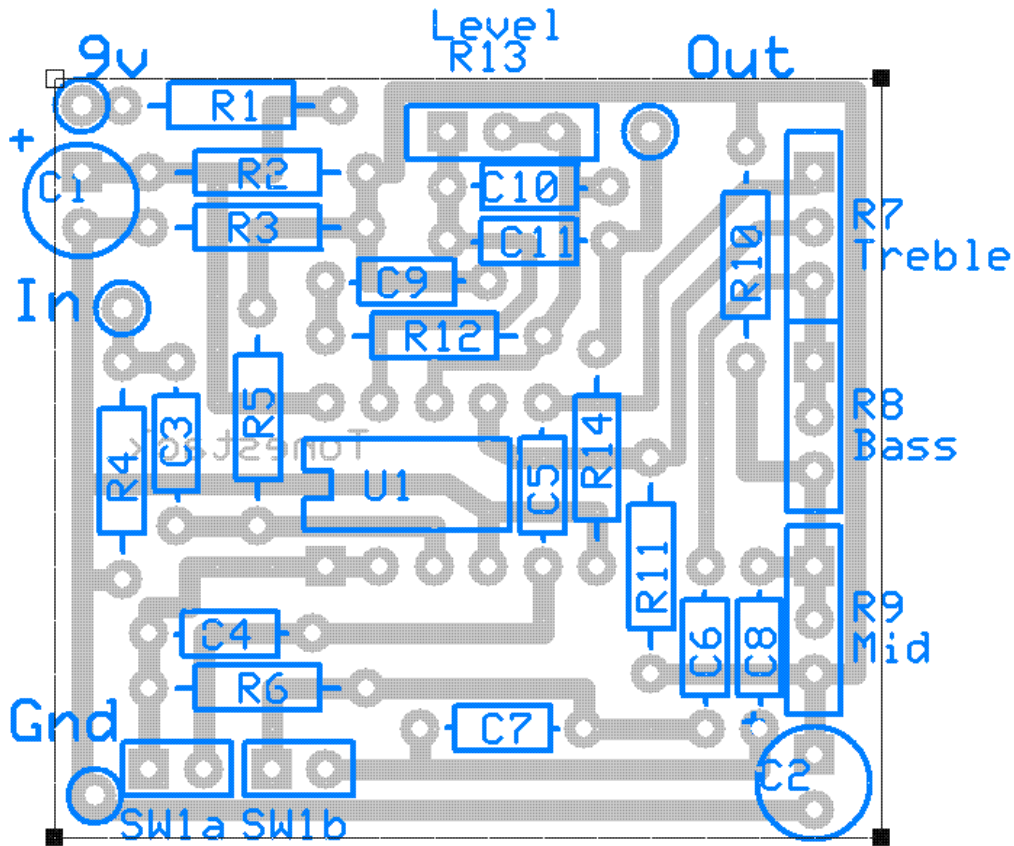


"Tonemender" by runoffgroove.com

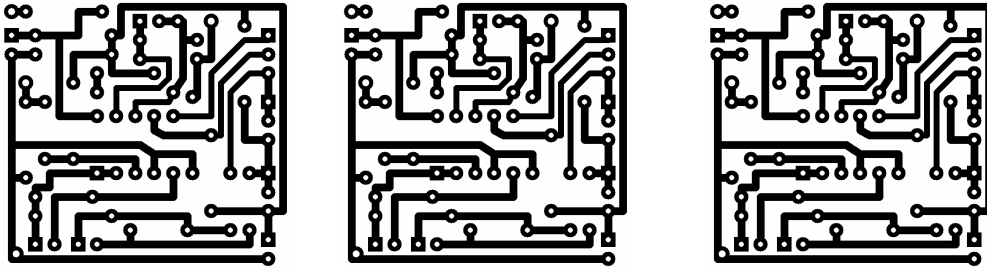
PCB layout by Pablo De Luca (aka Gringo)
Version 1.0 March 13, 2005



Parts List:

Capacitors	Resistors	Semiconductors	Misc
C1 100uF	R1 100	U1 TL072	SW1 DPDT switch
C2 100uF	R2 100k		
C3 22n	R3 100k		
C4 220p	R4 10M		
C5 150p	R5 1M		
C6 47n	R6 200k		
C7 33n	R7 500k B Treb		
C8 22n	R8 500k A Bass		
C9 470n	R9 100k A Mid		
C10 47p	R10 100k		
C11 470n	R11 1M		
	R12 4k7		
	R13 500k A Level		
	R14 100k		

Transfers:



38.74mm x 35.56mm (1.525" x 1.4") aprox.