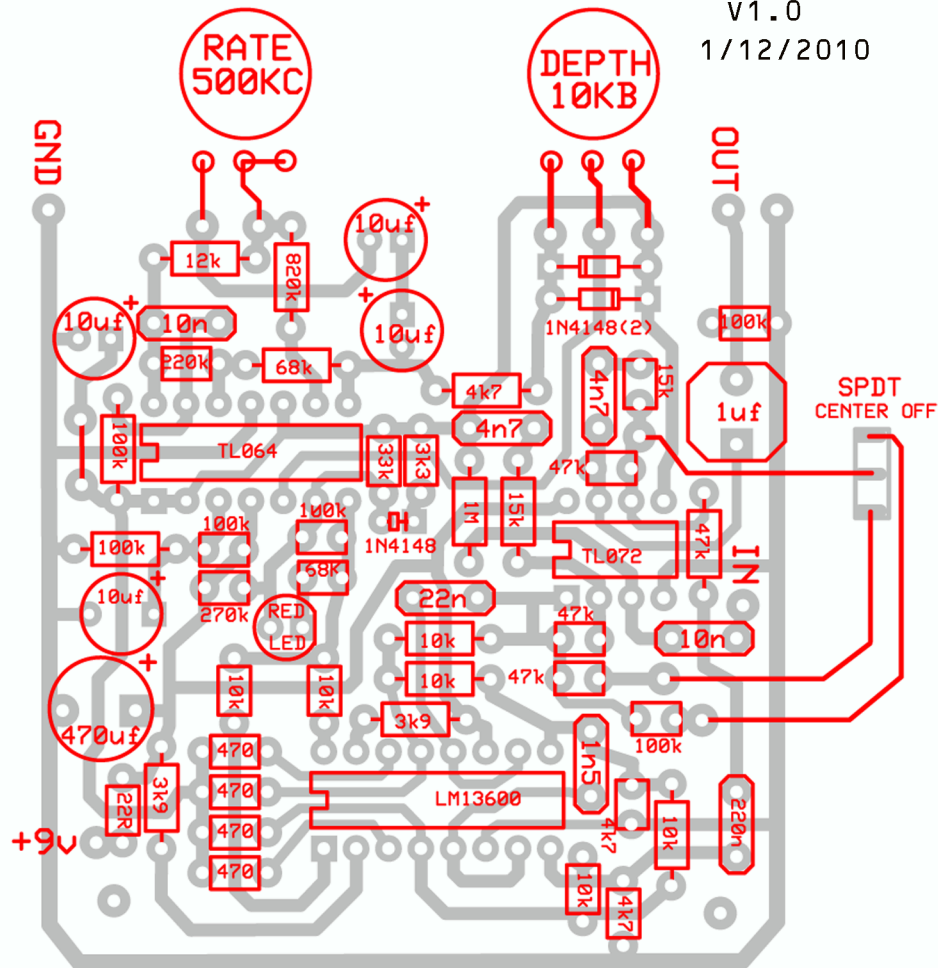


# TRI-VIBE

V1.0  
1/12/2010



U4 opamp sides are switched from schematic

Circuit by [runoffgroove.com](http://runoffgroove.com)

Not for commercial use

Layout by Andre Schaap / Redrawn by John Lyons

