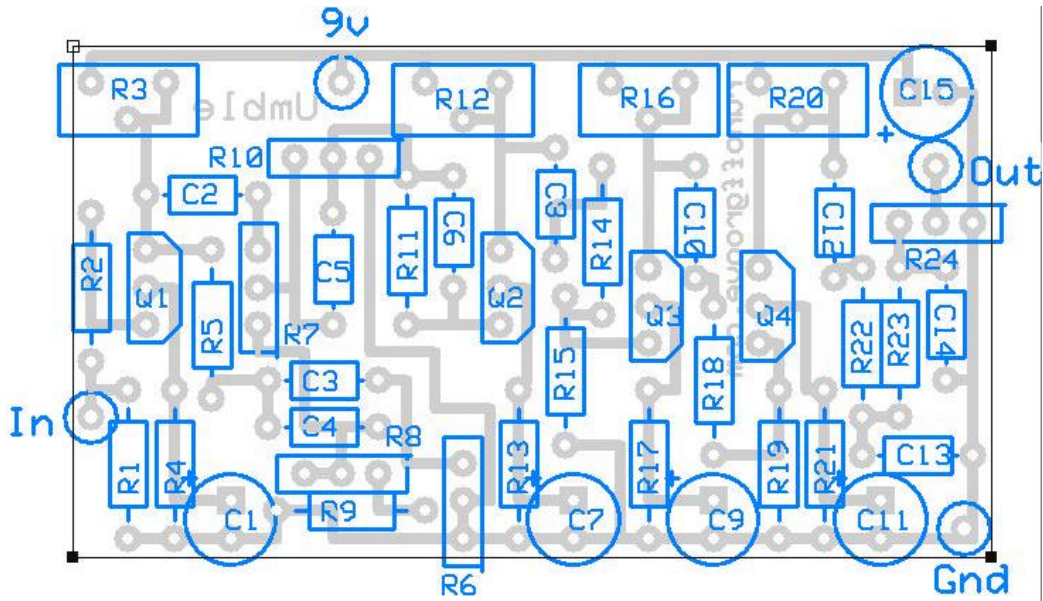


"Umble" by runoffgroove.com

PCB layout by Pablo De Luca (aka Gringo)

Version 1.2 July 16, 2004



Parts List:

Capacitors	Resistors	Semiconductors
C1 4.7uF	R1 1M	Q1 J201
C2 330p	R2 22k	Q2 J201
C3 47n	R3 100k trim	Q3 J201
C4 100n	R4 1k5	Q4 J201
C5 47p	R5 100k	
C6 330p	R6 100k L Mid	
C7 4.7uF	R7 250k A Treble	
C8 10n	R8 500k A bass	
C9 4.7uF	R9 10k	
C10 22n	R10 1M A Vol	
C11 4.7uF	R11 220k	
C12 15n	R12 100k trim	
C13 2n2	R13 1k5	
C14 2n2	R14 68k	
C15 100uF	R15 100k	
	R16 100k trim	
	R17 1k5	
	R18 180k	
	R19 100k	
	R20 100k trim	
	R21 1k5	
	R22 15k	
	R23 15k	
	R24 100k A Master	

Transfers:

