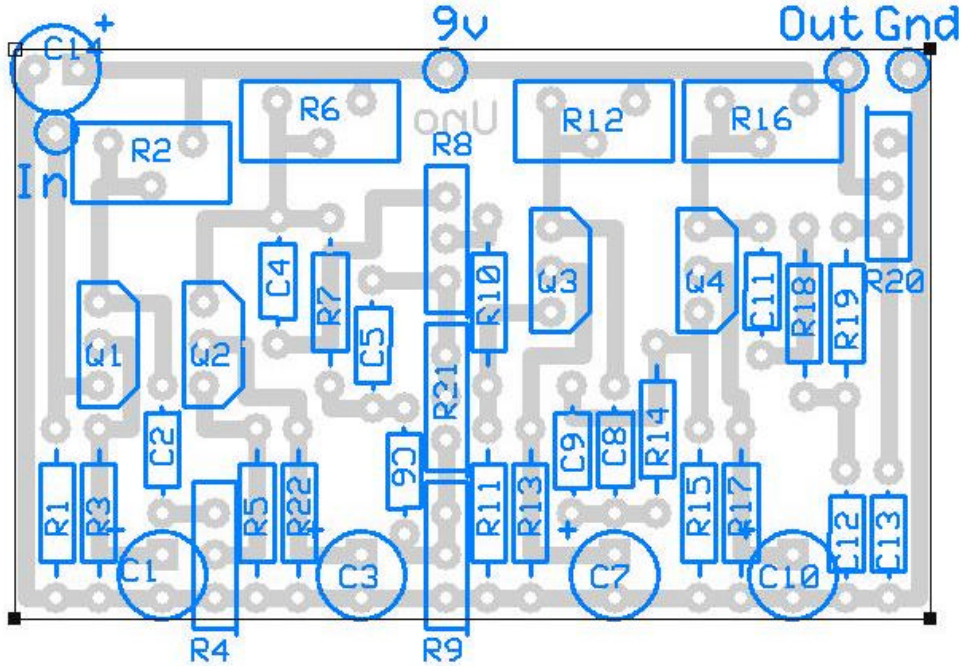


"Uno" by runoffgroove.com

PCB layout by Pablo De Luca (aka Gringo)

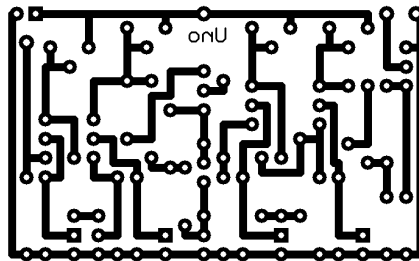
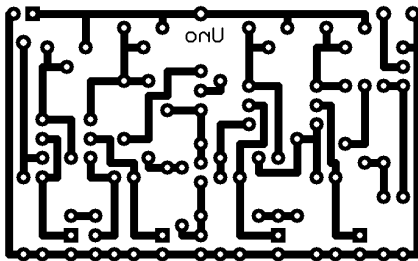
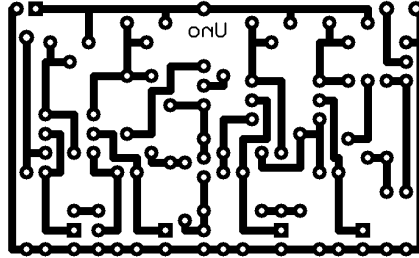
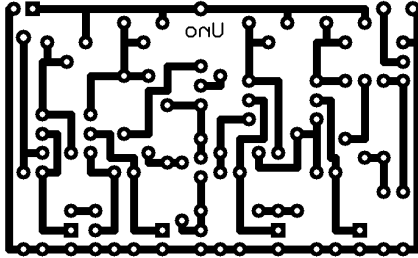
Version 1.1 August 28, 2004



Parts List:

Capacitors	Resistors	Semiconductors
C1 22uF	R1 1M	Q1 J201
C2 47n	R2 100k trim	Q2 J201
C3 22uF	R3 1k5	Q3 J201
C4 250p	R4 100k A Gain	Q4 J201
C5 100n	R5 220k	
C6 47n	R6 100k trim	
C7 22uF	R7 100k	
C8 47n	R8 250kA Treble	
C9 10p	R9 10kL Mid	
C10 22uF	R10 100k	
C11 15n	R11 1M	
C12 3n3	R12 100k trim	
C13 3n3	R13 1k5	
C14 100uF	R14 3M3	
	R15 220k	
	R16 100k trim	
	R17 820	
	R18 15k	
	R19 15k	
	R20 100kA Vol	
	R21 250kA Bass	
	R22 1k5	

Transfers:



55.24mm x 34.29mm (2.175" x 1.35")